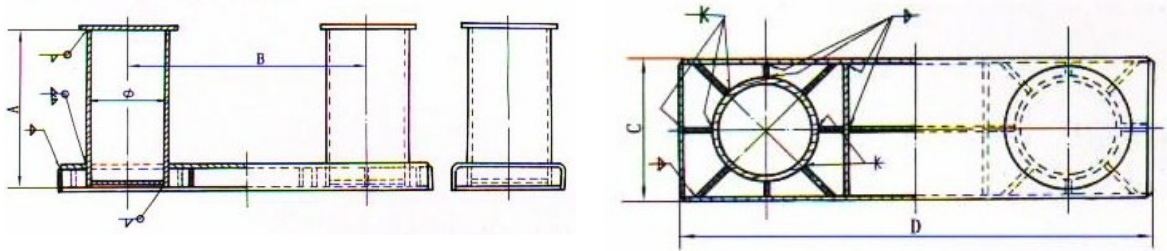
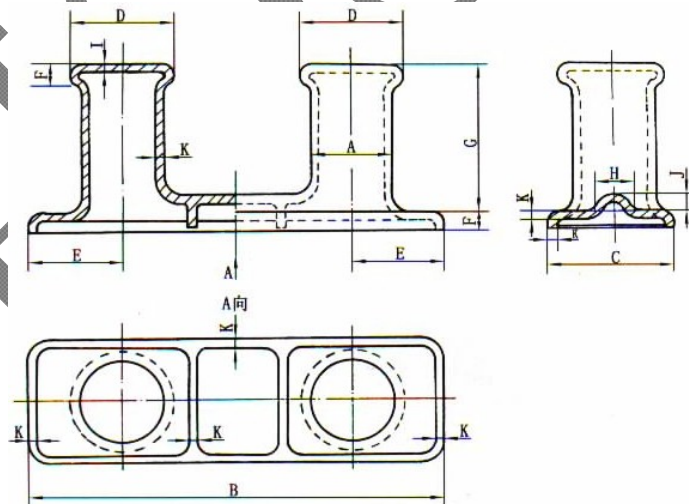


## BOLLARDS JIS F 2001-1990



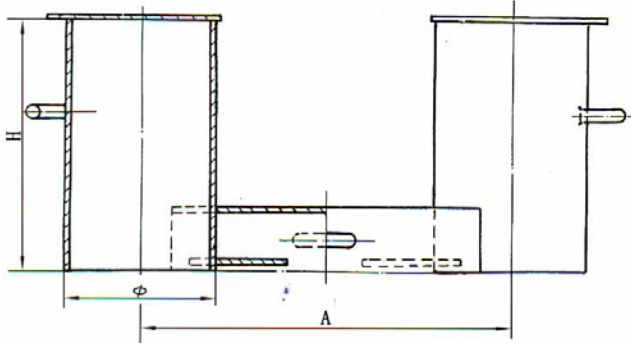
DIA.	A	B	C	D	Ø	KGS
100	196	250	165	445	114.3	18.9
125	246	315	195	540	139.8	29.4
160	316	400	225	670	165.2	44.7
200	378	500	290	860	216.3	79.5
250	470	630	360	1065	267.4	139
315	597	800	430	1300	318.5	261
355	663	890	480	1475	355.6	361
400	749	1000	550	1630	406.4	502
450	841	1130	620	1840	457.2	685
500	928	1250	690	2040	508	911
560	1025	1380	750	2240	558.8	1208
630	1152	1570	820	2510	609.6	1601
710	1294	1750	960	2840	711.2	2252
800	1480	2000	1100	3240	812.8	3071

## TYPE U.S.A BOLLARDS



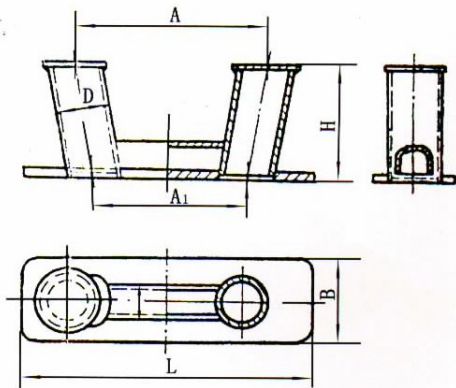
WEIGHT LB	MODEL NO.	A	B	C	E	G	J
990	MA-DB12	305	1524	457	343	572	51
1350	MA-DB14	356	-	533	330	667	51

## NS2584 SPAIN BOLLARDS



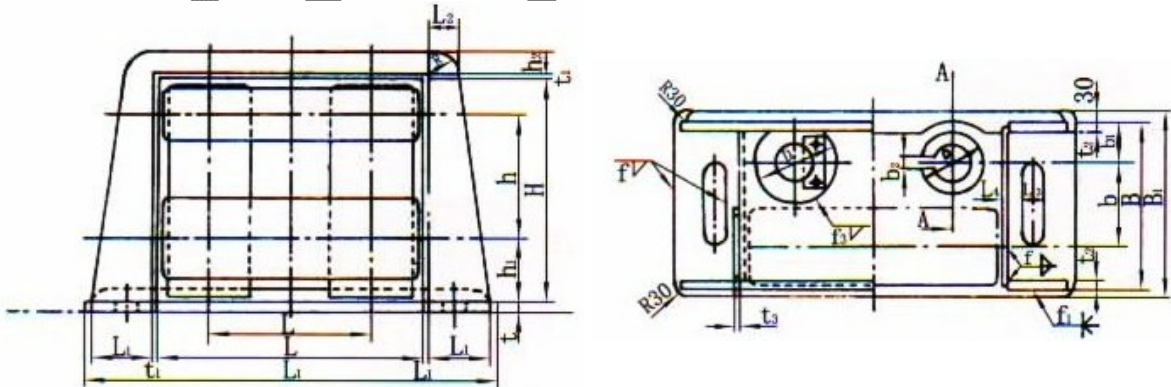
DIA.	A	Ø	H
125	315	139.7	250
160	400	168.3	300
200	500	219.1	400
250	630	273	500
315	800	323.9	600
400	1000	406.4	700
500	1250	508	830
630	1570	610	1000
710	1750	711	1100

## GB556-65 WELDING BOLLARDS



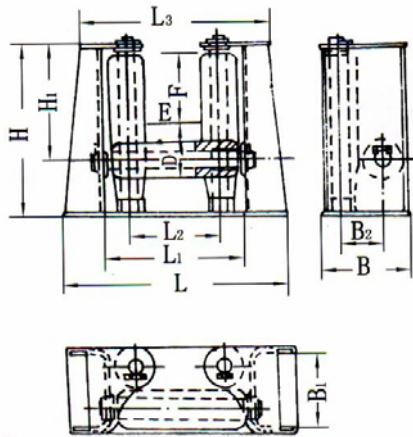
D	L	B	H	A	A1	KGS
50	310	100	170	205	166	5
75	430	125	215	296	238	11.5
100	540	160	240	364	290	19.2

## JIS F 2026-1980 FAIRLEADS WITH HORIZONTAL ROLLERS



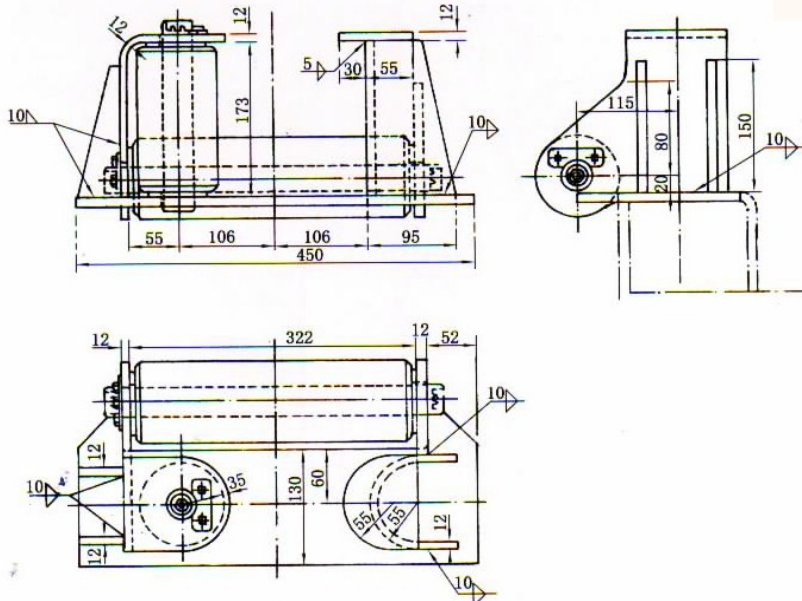
DIA.	B1	D	D1	H	h	h1	h2	L1
140	355	90	140	480	275	130	40	805
160	405	110	160	515	290	145	45	890
180	455	135	180	560	315	155	50	960
200	505	160	200	590	330	170	60	1049
250	610	200	250	715	415	195	75	1303
315	715	240	300	870	520	220	90	1562

## CB3062-70 FAIRLEAD WITH HORIZONTAL ROLLER

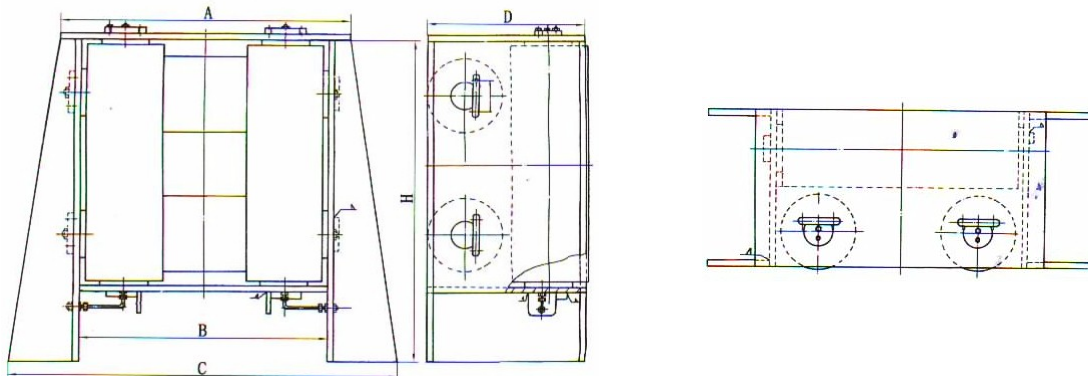


DIA.FOR STEEL ROPE	DIA.FOR NYLON ROPE	D	L	L2	L3	B	B2	H
19.5	36	100	644	300	544	238	108	508
22.5	40	120	728	320	608	280	128	552
26	45	130	776	330	646	304	138	606
32	70	150	880	370	730	346	158	670
34.5	80	160	940	400	780	370	168	710
37.5	85	180	1030	420	850	417	190	770
43	95	200	1136	460	936	459	210	820
52	100	230	1256	490	1026	521	240	910
60.5	-	260	1430	560	1170	590	270	1000
68	-	320	1690	640	1370	714	330	1130

## JIS F2004 STEEL PLATE DECK END ROLLERS(A,B,C)



## VVN-72028 FAIRLEADS WITH HORIZONTAL ROLLERS(GERMAN)



NOMINAL DIA	A	B	C	D	H
8	840	730	1165	450	970
16	1040	880	1370	560	1100
20	1240	1040	1635	670	1100