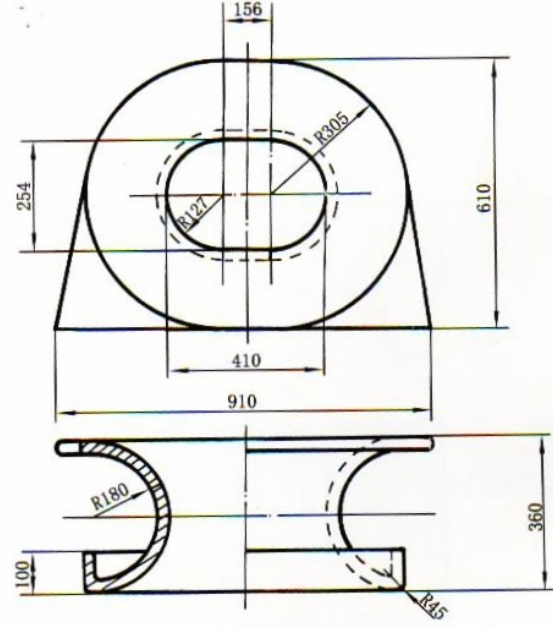
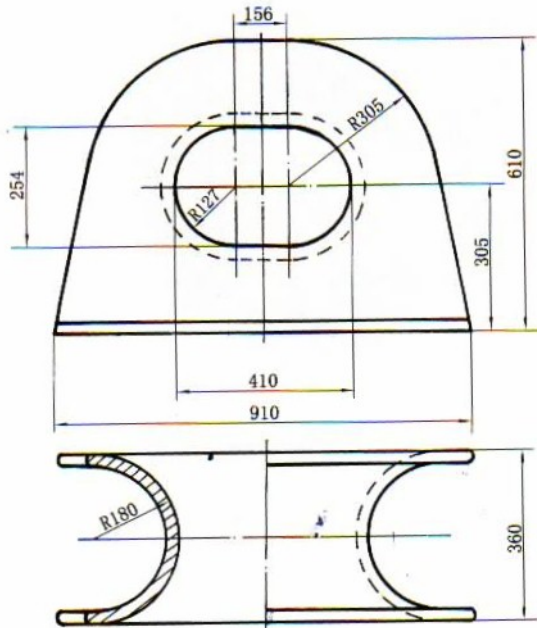
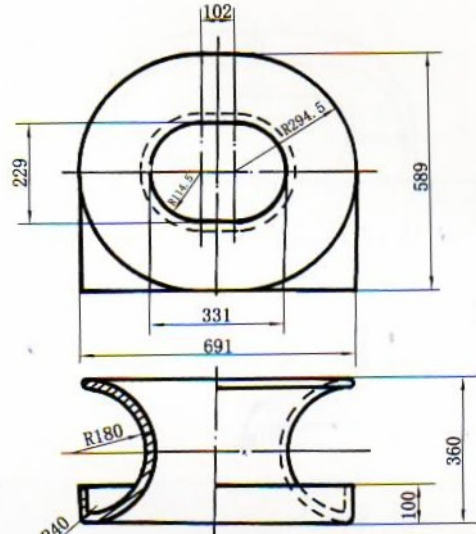
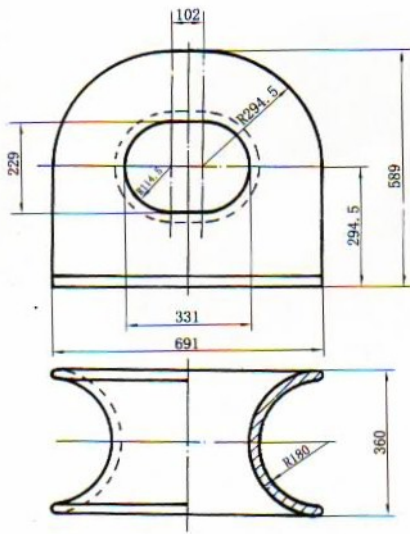
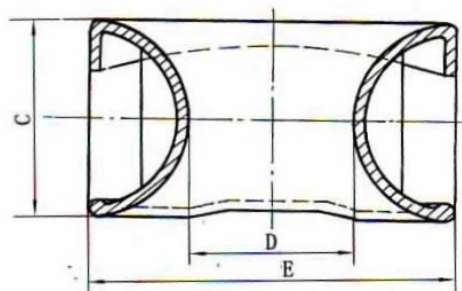
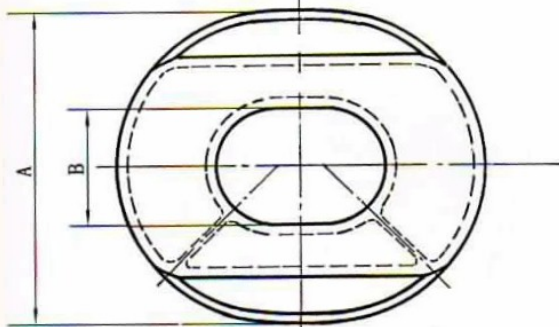


## SPAIN CHOCK 62014, 62105, 62106, 62107

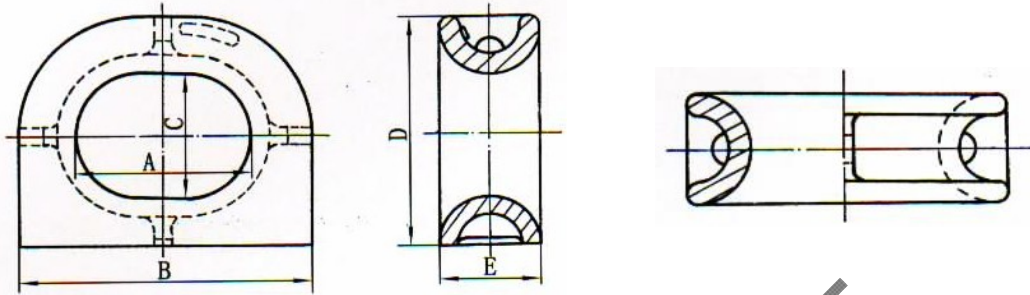


### TYPE DIN 81915 CHOCKS



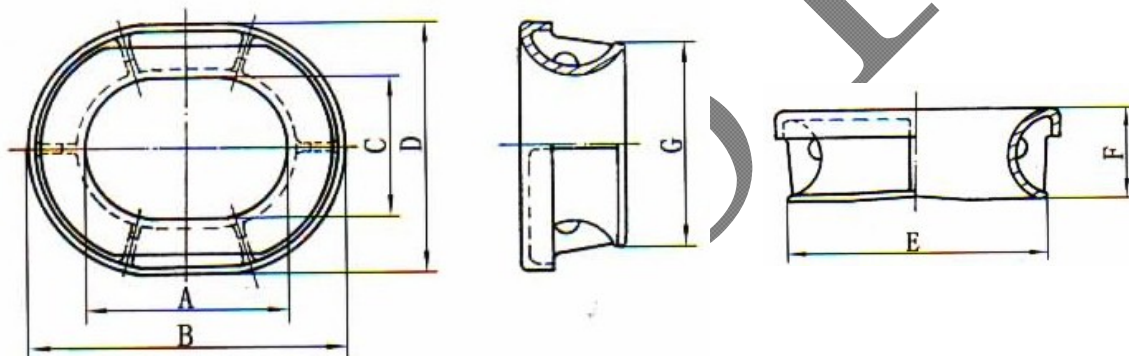
WEIGHT(KGS)	MODEL NO.	A	B	C	D	E
120	A8-GS	585	225	360	320	680

## JIS F 2005-1975 CLOSED CHOCKS



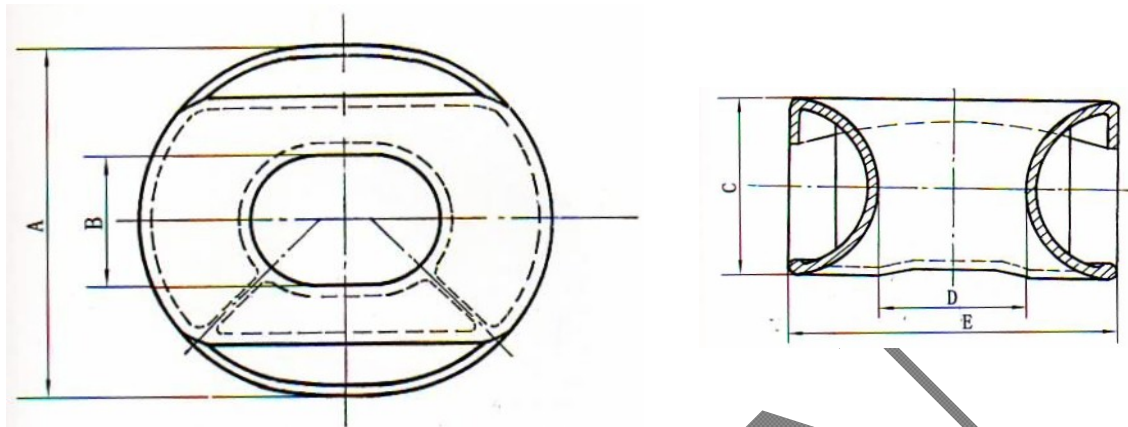
WEIGHT (KGS)	MODEL NO.	A	B	C	D	E
3.7	100	100	170	76	141	60
10.5	150	150	250	110	205	90
24	200	200	340	150	280	120

## JIS F 2007-1976 MOORING CHOCK(A)



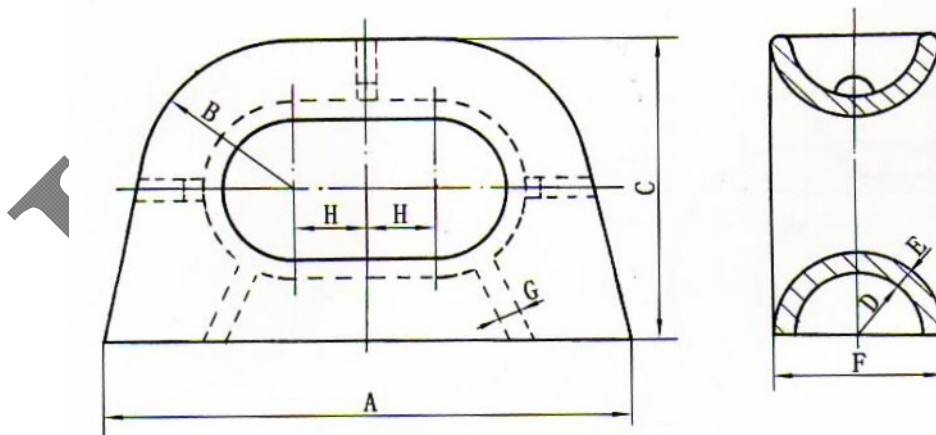
WEIGHT (KGS)	MODEL NO.	A	B	C	D	E
15.1	150	150	300	110	260	129
20.5	200	200	368	150	318	143
26.9	250	250	430	200	380	155
42.7	300	300	500	250	450	169
50.8	350	350	560	250	460	179
76.3	400	400	632	250	482	195
102	450	450	700	250	500	209
115	500	500	760	250	510	219

## TYPE DIN81915 CHOCKS



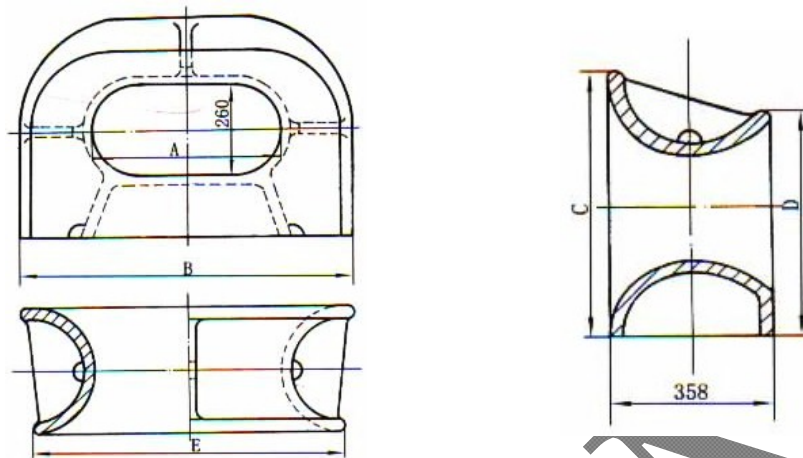
WEIGHT (KGS)	MODEL NO.	A	B	C	D	E
42	A3-GS	390	140	250	200	450
74	A5-GS	480	180	300	250	550
120	A8-GS	585	225	360	320	680
185	A12-GS	710	270	440	400	840
285	A20-GS	840	320	520	500	1020

## U.S.PANAMA CHOCK



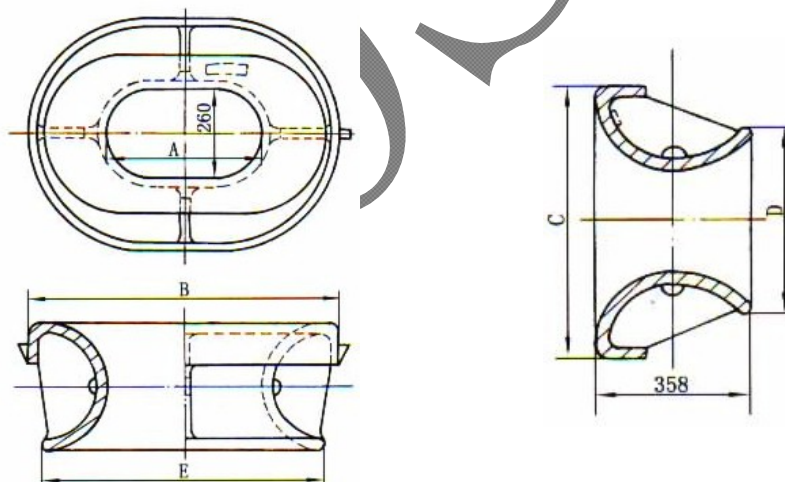
NOMINAL DIA.	MODEL NO.	A	B	C	D	E	H	LB	KGS
6"x12"	S-1097	558	165	330	61	178	76	157	71
7"x14"	S-1098	610	187	374	68	196	89	204	92.5
8"x16"	S-1105	626	257	514	100	260	51	335	152
9"x18"	S-1106	762	235	470	83	242	114	397	180
10"x20"	S-1101	812	257	514	90	260	127	496	225

## JIS F 2017-1982 PANAMA CHOCKS(AC)



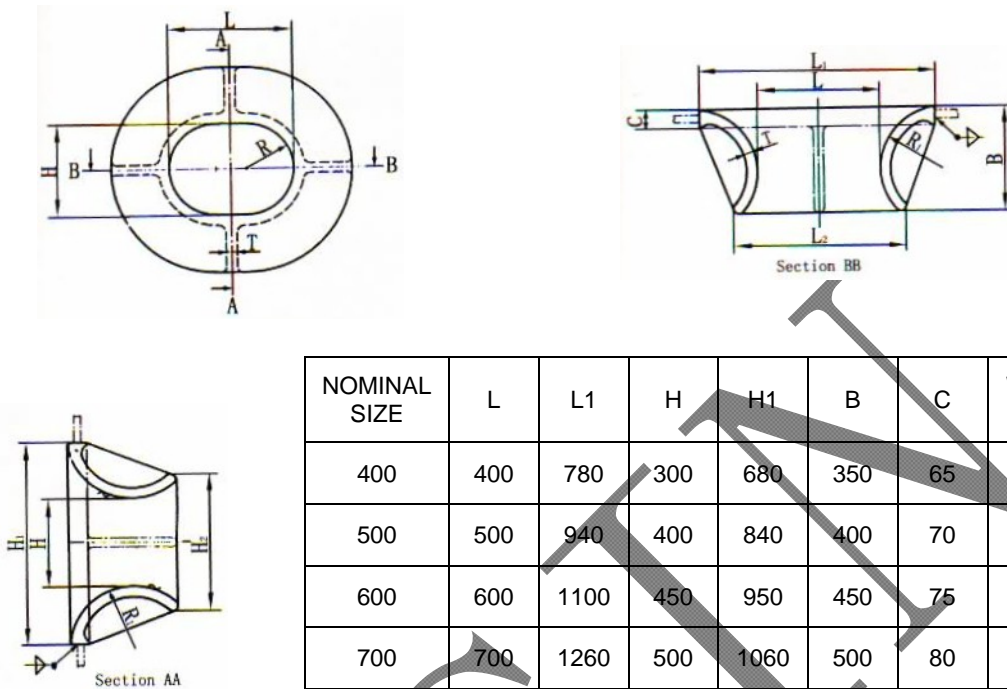
WEIGHT (KGS)	MODEL NO.	A	B	C	D	E
253	310	310	708	639	541	652
289	360	360	760	640	542	704
323	400	400	804	642	545	750
351	450	450	856	643	547	802
395	500	500	908	644	549	854

## JIS F 2017-1982 PANAMA CHOCKS(BC)



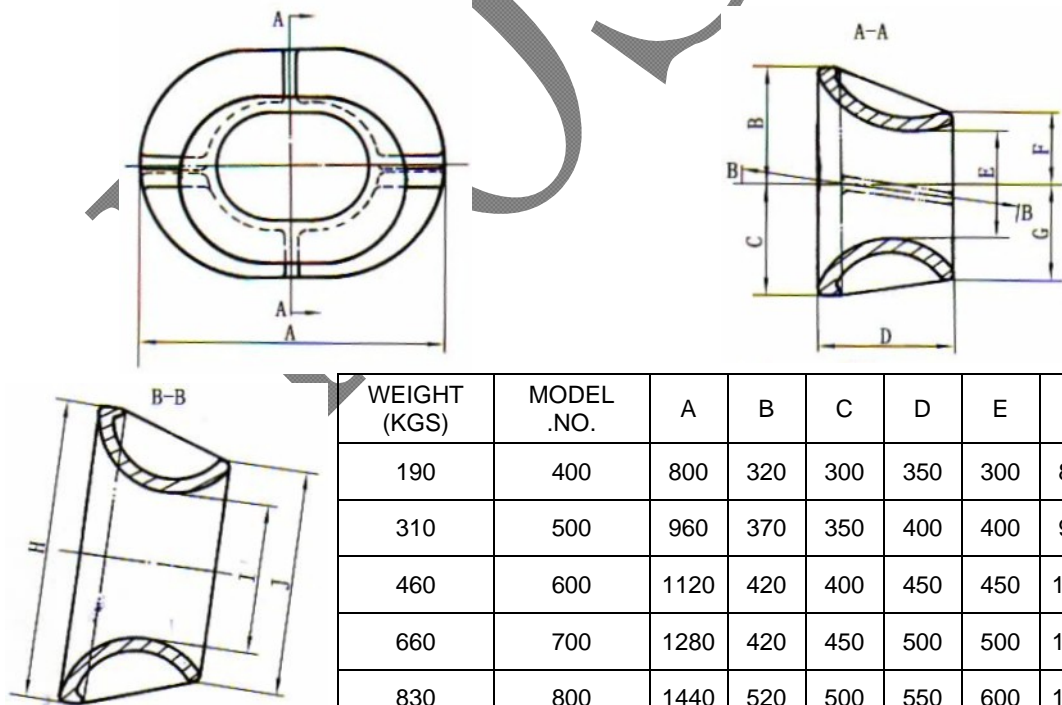
WEIGHT (KGS)	MODEL NO.	A	B	C	D	E
276	310	310	734	684	462	652
305	360	360	788	688	464	704
344	400	400	832	692	470	750
385	450	450	886	696	474	802
422	500	500	940	700	478	854

**JIS F 2030-1987 SINGLE POINT MOORING PIPES(A)**



NOMINAL SIZE	L	L1	H	H1	B	C	WEIGHT KGS
400	400	780	300	680	350	65	210
500	500	940	400	840	400	70	340
600	600	1100	450	950	450	75	490
700	700	1260	500	1060	500	80	600
800	800	1420	600	1220	550	85	880

**JIS F 2030-1987 SINGLE POINT MOORING PIPES(B)**



WEIGHT (KGS)	MODEL .NO.	A	B	C	D	E	H	I
190	400	800	320	300	350	300	800	400
310	500	960	370	350	400	400	960	500
460	600	1120	420	400	450	450	1120	600
660	700	1280	420	450	500	500	1280	700
830	800	1440	520	500	550	600	1440	800