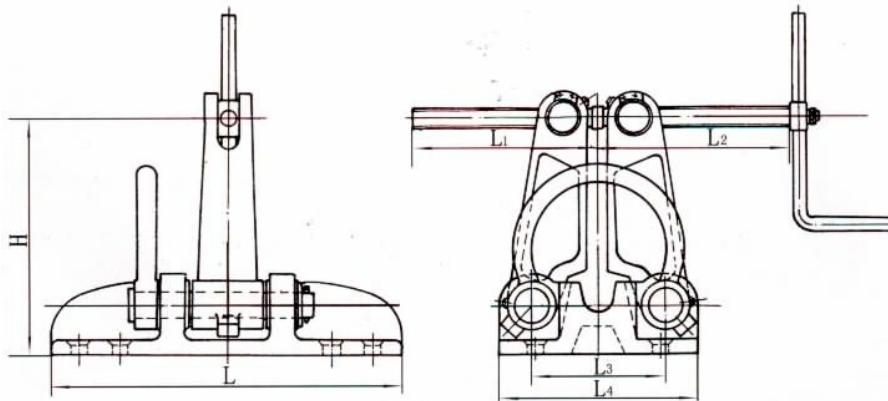


# CHAIN STOPPER



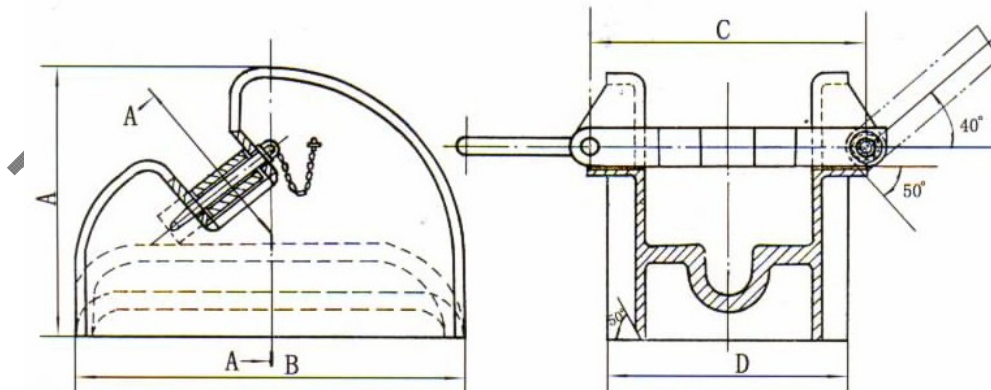
CHINA HOSIN

## CB 178-64 SPIRAL CHAIN STOPPER



NOMINAL DIA.OF ANCHOR CHAIN	L	L1	L2	L3	L4	H
22-25	500	265	275	190	280	335
28-31	550	320	330	210	310	400
34-37	600	380	375	250	360	455
40-43	670	415	430	290	420	515
46-49	770	450	480	330	480	585
53-57	870	545	565	380	550	680
62-67	1000	615	640	440	640	775

## JIS F 2015-1987 CAST STEEL BAR TYPE CHAIN CABLE STOPPERS



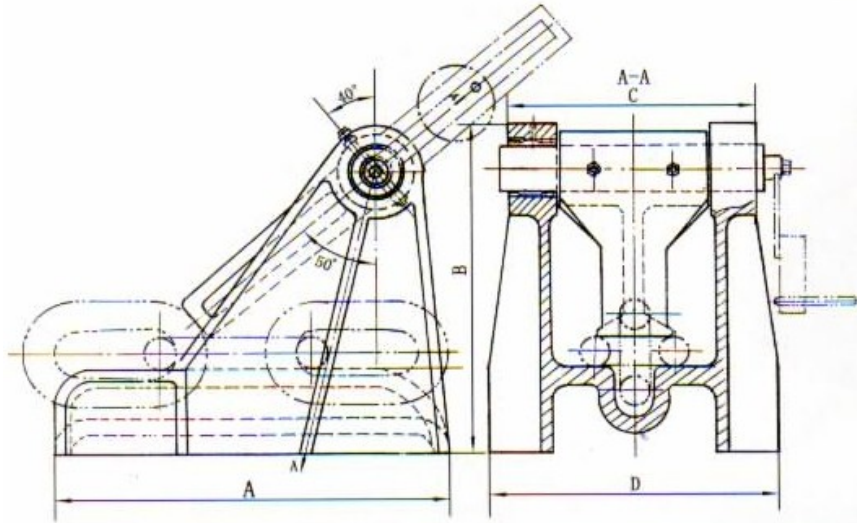
NOMINAL NO.	40	44	48	52	56	60	62	68	73	78
NOMINAL DIA. OF ANCHOR	38-40	42-44	46-48	50-52	54-56	58-60	62-64	66-68	70-73	76-78
A	378	412	450	491	528	564	600	635	675	715
B	540	590	640	695	745	795	850	900	960	1020
C	390	424	460	494	530	564	600	636	678	720
D	336	366	366	428	457	488	517	547	582	617
WEIGHT KGS	111	139	139	216	261	319	380	452	561	682

# CHAIN STOPPER



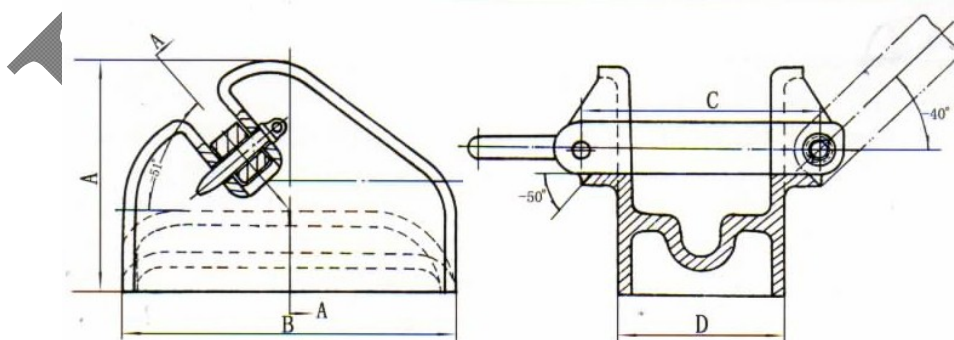
CHINA HOSIN

## JIS F 2016-1987 CAST STEEL PAWL TYPE CHAIN STOPPERS FOR GRADE 2 CHAINS



NOMINAL NO.	60	64	68	73	78	84	90	95	102	107	114	120
NOMINAL DIA. OF ANCHOR CHAIN	58-60	62-64	66-68	70-73	76-78	81-84	87-90	92-95	97-102	105-107	111-114	117-120
A	780	833	885	900	1015	1095	1170	1235	1350	1400	1480	1585
B	670	710	750	801	852	911	969	1021	1090	1148	1207	1280
C	506	538	568	604	641	686	732	768	816	857	902	956
D	600	630	660	700	750	800	850	900	930	1000	1050	1120
WEIGHT(KGS)	306	384	464	549	674	806	1002	1165	1443	1636	1933	2239

## JIS F 2023-1976 SHIP'S SMALL SIZE CAST STEEL BAR TYPE ANCHOR CHAIN CABLE STOPPERS



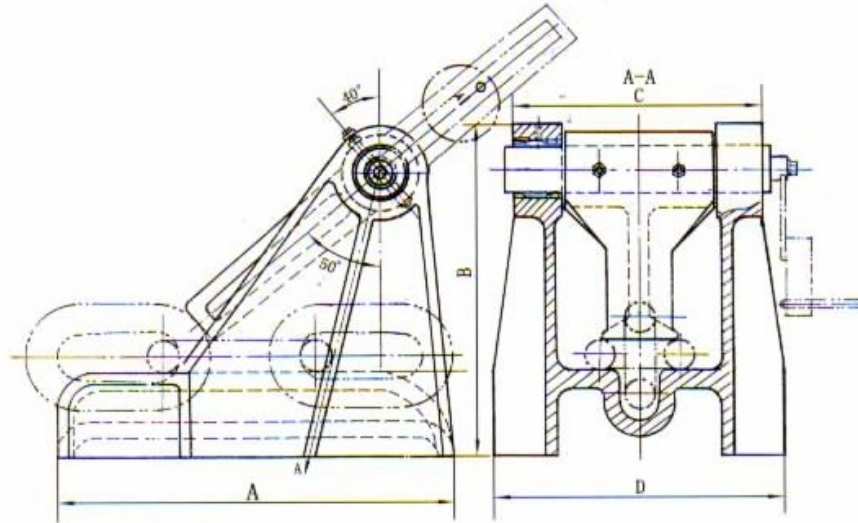
NOMINAL NO.	19	22	25	28	32	36
NOMINAL DIA. OF ANCHOR CHAIN	17-19	20-22	23-25	26-28	29-32	34-36
A	190	216	241	270	305	342
B	270	310	345	385	435	490
C	200	226	256	280	320	154
D	134	153	175	193	220	246
WEIGHT(KGS)	17	24	33	44	68	92

# CHAIN STOPPER



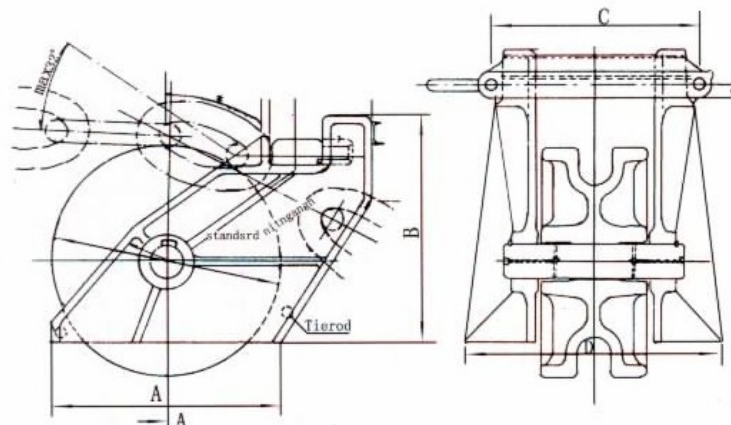
CHINA HOSIN

## JIS F 2031-1987 CAST STEEL PAWL TYPE CHAIN CABLE STOPPERS FOR GRADE 3 CHAIN CABLE



NOMINAL NO.	60	64	68	73	78	84	90	95	102	107	114	122
NOMINAL DIA. OF ANCHOR CHAIN	58-60	62-64	66-68	70-73	76-78	81-84	87-90	92-95	97-102	105-107	111-114	117-122
A	780	835	885	950	1015	1095	1170	1235	1400	1400	1480	1585
B	670	710	750	801	852	911	969	1021	1148	1148	1207	1280
C	506	538	568	604	641	686	732	768	857	857	902	956
D	600	630	660	700	750	800	850	900	1000	1000	1050	1120
WEIGHT(KGS)	401	473	567	682	818	1030	1220	1420	2130	2130	2410	2900

## JIS F 2033-1980 ROLLERED BAR TYPE ANCHOR CHAIN CABLE STOPPERS FOR GRADE 3 CHAIN CABLE



NOMINAL NO.	73	78	84	90	95	102	107	114	122	132
NOMINAL DIA. OF ANCHOR CHAIN	70-73	76-78	81-84	87-90	92-95	97-102	105-107	111-114	117-122	127-132
A	730	780	840	900	950	1020	1070	1140	1220	1320
B	715	760	820	890	945	1005	1070	1140	1220	1315
C	700	730	780	840	880	940	990	1040	1100	1170
D	730	780	840	900	950	1020	1070	1140	1220	1320
WEIGHT(KGS)	1000	1180	1470	1780	2110	2380	2900	3440	4100	5080